

➤ DEVICE

The DRC1224-5V 5 color LED controller set is designed with ultra sensitive touch color wheel to adjust static RGB color or color temperature fast and accurately, Independent dimming function of each R, G, B, WW/CW channel to achieve millions of colors. Built-in 10 dynamic mode can create fancy lighting effects, also you can save 2 scenes what you like.

➤ FEATURE

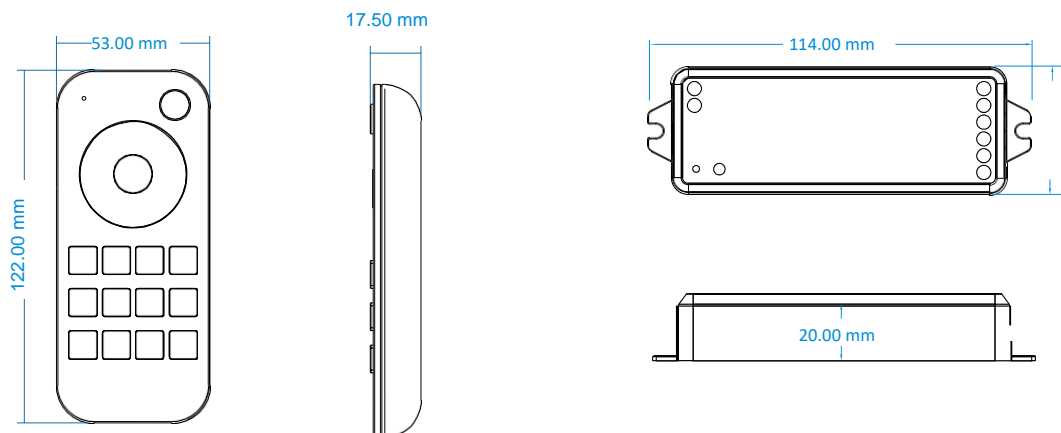
- Mini style controller with 5 channel constant voltage output (R/G/B/WW/CW).
- Smooth dimming and switch without any flickering.
- Built in 10 dynamic mode, include jump or gradual change style.
- Adopt 2.4GHz wireless technology, remote distance up to 30m.
- Auto-transmitting function, one receiver can transmit the signal from the remote to another receiver within 15m, so the remote control distance can be beyond 100m.
- Auto-synchronization function, different receivers can work synchronously when they are controlled by the same remote, under same dynamic mode and same speed.
- Work with power repeater to expand output unlimitedly.
- The DRC1224-5CV device keeps the memory of the last command set

➤ TECHNICAL SPECIFICATIONS**LED REMOTE**

- Output signal: RF (2.4GHz)
- Working voltage: 3Vdc (AAAx2pcs)
- Working current: <5mA
- Standby current: <10μA
- Standby time: 2 Years
- Remote distance: 30m
- Dimension: (LxWxH) 122x52x17.5mm

LED RECEIVER

- Input voltage: 12-24Vdc
- Output typ: PWM constant voltage
- Output current: 5CH, 3A/ch, Total current 15A max
- Output power: 180-360W
- Dimension: (LxWxH) 114x38x20mm

➤ DIMENSION

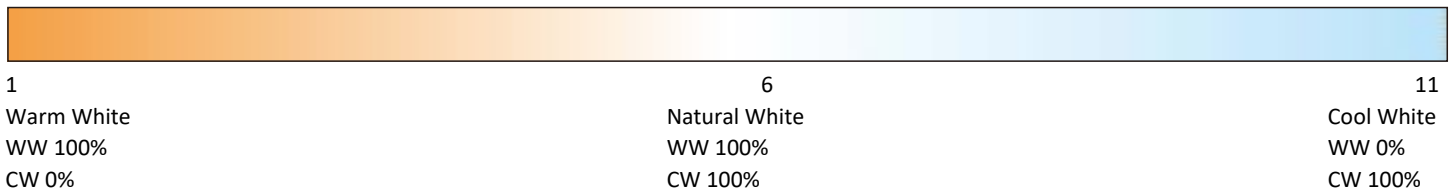


Turn on/off light.

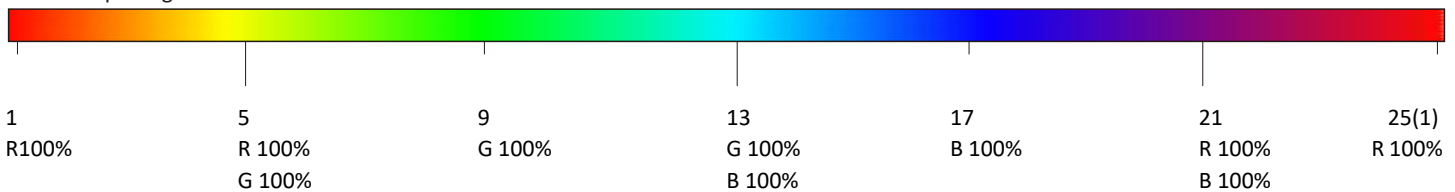
Touch to change RGB color or color temperature. Press RGB or CCT key to switch between RGB wheel and CCT wheel.

Adjust RGB or color temperature brightness, short press 10 levels, long press 1-5s for continuous 256 levels adjustment.

Adjust color temperature by WW/CW channel, short press 11 levels, long press 2s get max or min color temperature



Short press get 24 kinds static RGB color.



Short press run next dynamic mode, long press 2s run mode-cycle

For dynamic mode, adjust speed, short press 10 levels, long press 2s get the default speed. For static RGB color, adjust saturation, namely change current static RGB color to mixed white slowly, short press 11 levels, long press 1-5s for continuous 256 levels adjustment.

Short press get red, green or blue color directly. long press 1-5s to adjust R/G/B brightness continuously.

Short press turn on/off white (WW+CW), long press 1-5s to adjust white (WW+CW) brightness continuously, namely change saturation by add white color slowly.

Short press re-call the scene, long press 2s save current color into S1/2.

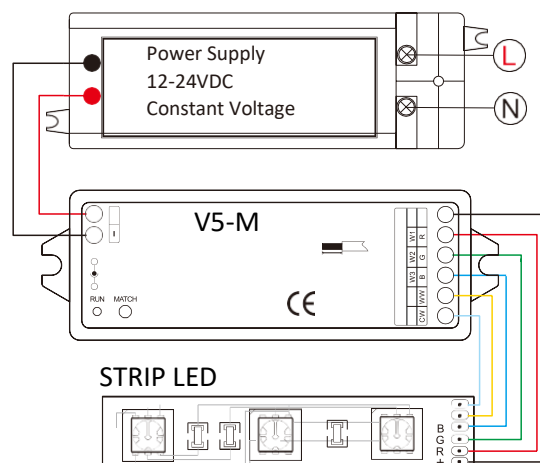
➤ MATCH GUIDE

1. Match: Short press match key of the receiver, within 5s, press on/off key the remote.
2. Delete: Long press match key of the receiver for 5s, delete all marched remote.

➤ USE POWER-UP

1. Match: Switch off the power, then switch on power again, short press on/off key 3 times on the remote quickly within 5s after power on, the link is done once the light blinks 3 times.
2. Delete: Switch off the power, then switch on power again, short press on/off key 5 times on the remote quickly within 5s after power on, the unlink is done once the light blinks 5 times

➤ INSTALLATION



➤ DYNAMIC MODE LIST

No.	Name	No.	Name
1	RGB jump	6	RGB fade in and out
2	RGB smooth	7	Red fade in and out
3	6 color jump	8	Green fade in and out
4	6 color smooth	9	Blue fade in and out
5	Color temperature smooth	10	White fade in and out

➤ MALFUNCTIONS ANALYSIS & TROUBLESHOOTING

Malfunctions	Causes	Troubleshooting
No light	1. No power. 2. Wrong connection or insecure.	1. Check the power. 2. Check the connection.
Wrong color	1. Wrong connection of R/G/B/WW/CW wires.	1. Reconnect R/G/B/WW/CW wires.
Uneven intensity between front and rear, with voltage drop	1. Output cable is too long. 2. Wire diameter is too small. 3. Overload beyond power supply capability. 4. Overload beyond controller capability.	1. Reduce cable or loop supply. 2. Change wider wire. 3. Replace higher power supply. 4. Add power repeater.
No response from the remote	1. The battery has no power. 2. Beyond controllable distance. 3. The controller did not match the remote.	1. Replace battery. 2. Reduce remote distance. 3. Re-match the remote.

➤ SAFETY INFORMATION

1. The product shall be installed and serviced by a qualified person
2. This product is non-waterproof. Please avoid the sun and rain.
3. Good heat dissipation will prolong the working life of the controller, please ensure good ventilation
4. Please check if the output voltage of any power supplies used comply with the working voltage of the product
5. Ensure all wire connections and polarities are correct and secure before applying power to avoid any damages to the LED lights
6. If a fault occurs please return the product to your supplier. Do not attempt to fix this product by yourself