**FEATURES**

- AC DIMMER
- AC Input: 230V AC
- Command BUS: DALI
- Local command option:
 - N.O. Push Button
- 1 output at 400W max
- Output channel for R-C loads
- Adjusting the brightness
- Single channel dimmer output phase-cut (trailing edge) for LED Lamp dimmable and Halogen Lamp dimmable
- Typical efficiency > 95%
- Memory function, minimum value of dimming adjustable
- Possibility to set the minimum level
- Optimized output curve
- Soft start and soft stop

➤ **APPLICATION: Dimmer and phase-cut – Trailing Edge**

CODE	Supply Voltage	Output	Channel	Local Command
DAC230-1CH-DALI	100 - 230VAC	1 x 400W max ¹	1	N° 1 N.O. Push Button - DALI

Memory Function: memorize the last minimum level of the device in case of power-off.

L'AC Dimmer is a single channel dimmer output phase-cut and adjusting the brightness of dimmable LED Lamp dimmable halogen lamp and AC phase-cut power supply.

➤ **TECHNICAL SPECIFICATIONS**

		Variant	
		Constant Voltage	
INPUT	Voltage Range	100 ... 240 Vac	
	Mains Frequency	50Hz	
	Efficiency ²	>95%	
	Power loss in stand by mode	<500mW	
OUTPUT	Nominal Output Voltage	100 ... 240 Vac	
	Nominal Output Current	max 0.8A	
	Type of Load	R+C	
	Minimum load power	5 W	
DIMMING	Dimming method	Trailing Edge	
	Dimming Range ⁵	1 – 100%	
ENVIROMENTAL	Storage Temperature	min: -40 max: +60 °C	
	Ambient Temperature	min: -10 max: +40 °C	
	Protection Grade	IP20	
	Wiring	2.5mm ² solid – 2.5mm ² stranded -30/12 AWG	
	Wire preparation length	6 mm	
	Mechanical dimensions	45.5 x 45 x 20.3 mm	
	Packaging dimensions	55 x 55 x 35 mm	
	Casing material	Plastic	
Weight	45 g		

¹ Depends on the type of Load connected

² At full load

³ Maximum value, dependent on ventilation conditions

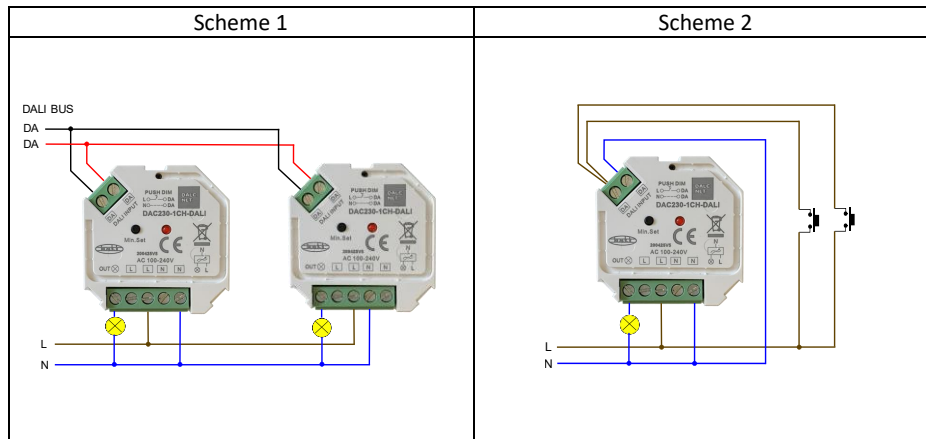
⁴ Nominal Power: Led Load 100W@110Vac ; Incandescent Load 200W@110Vac

⁵ It depends on the type of lamp connected

➤ INSTALLATION

As show in the scheme below, proceed as follows to install the product:

- 1) Installation and maintenance must be performed only by qualified personnel in compliance with current regulations.
- 2) Isolate the mains supply before the installation or adjusting the switches. The external supply must be protected. It is recommended to use a Circuit Breaker with overcurrent protection correctly dimensioned.
- 3) Connect a Fuse into "Line" cable. The fuse must be correctly dimensioned. Connect the table of supply mains to "AC IN" terminal block.
- 4) Connect the DALI command to "DALI INPUT" terminal block.
- 5) Connect the Lamp Load to the "AC OUT" terminal block.



Note:

The maximum value of fuse is 1,25A.

Power Supply DALI Bus required.

Attention:

Even in off conditions, output is always connected to the main voltage.

Always remove the mains supply before the installation or maintenance of the product.

➤ OPERATION

Setting DALI Address:

1 DALI for 1 channel output is assigned by DALI Master controller automatically, please refer to user manuals of compatible DALI Masters for specific operations.

Setting minimum brightness:

Adjust brightness to a level, then press and hold down "Min. Set" key on the dimmer until the light flashes, once set a minimum brightness, the light can only be dimmable between this minimum brightness and maximum brightness.

The dimming range of this dimmer is 1%-100%, but some load types may flicker when dimmed to 1%, thus a minimum brightness shall be set higher than 1% to avoid flickering during dimming process.

Delete the minimum brightness:

Adjust the brightness to maximum level, then click "Min. Set" key on the dimmer to delete the minimum brightness, the light will flash to indicate successful reset.

➤ PUSH DIM:

While connected with PUSH switch, click the button to switch ON/OFF lights. Press and hold down the button to increase/decrease light intensity.

➤ TECHNICAL NOTE

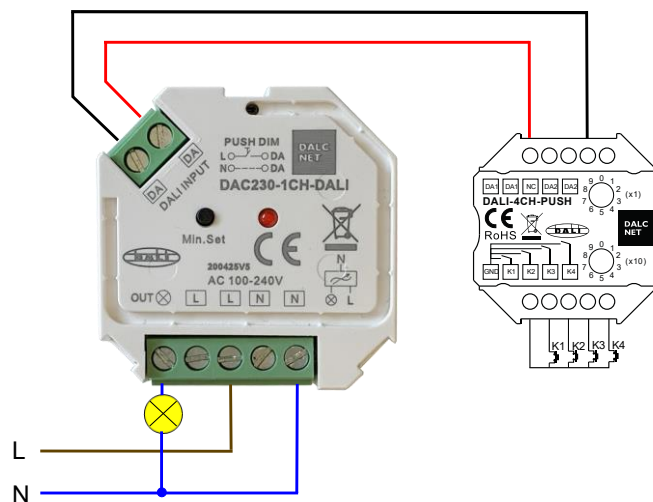
Installation:

- Isolate the mains supply before the installation or adjusting the switches. Installation and maintenance must be performed in the absence of AC Voltage.
- Installation and maintenance must be performed only by qualified personnel in compliance with current regulations.
- The product must be installed inside an electrical cabinet protected against overvoltages.
- The external supply must be protected. The product must be protected from Fuse and/or Circuit Breaker with overcurrent protection correctly dimensioned.
- The product must be installed in a vertical or horizontal position with the cover/label upwards or vertically; other positions are not permitted, It is not permitted to bottom-up position (with the cover/label down).
- The use of the product in harsh environments could limit the output power.
- Keep separated the circuits at 230V (LV) and the circuits not SELV from circuits to low voltage (SELV)

Command and Output:

- The length of the connection cables between the local commands (N.O. Push button or other) and the product must be less that 30m; the cables must be dimensioned correctly.
- The length of the connection cables between the product and the LED module must be less than 30m; the cables must be dimensioned correctly.

➤ EXAMPLE OF APPLICATION



DAC230-1CH-DALI can be controlled by various DALI master commercially.

For example, it can also be piloted trough ours DALI-4CH-PUSH.

- By correctly powering the DALI BUS;
- Addressing the DAC230-1CH-DALI to the address "0";
- Using the K1 button of the DALI-4CH-PUSH it is possible to switch on / off and dim the LED load connected to the DAC230-1CH-DALI .