



FEATURES

- BUS+FADER+DIMMER+DRIVER
- DC input: DC 12-24-48 Vdc or 12-24Vdc
- BUS Command:
 - DALI
 - DMX512+RDM
- MULTI INPUT – Analogic Automatic Detection of the Local Command:
 - Normally Open Push-Button
 - 0-10V
 - 1-10V
 - Potentiometer 10KOhm
- PUSH MENU' – Possibility to set:
 - Minimum value of dimming
 - Fade In
 - Fade Out
- Constant voltage variant to Common Anode applications
- Voltage outputs for R-L-C loads, DLM1248-1CV-DALI or DMX
- Voltage outputs for R loads, DLM1224-1CV-DALI or DMX
- Memory function
- Adjusting the brightness of White light or monochromatic color
- Adjusting the brightness up to completed off
- Soft start and soft stop
- Optimized output curve
- Typical efficiency > 95%
- 100% Functional test – 5 Years warranty



➤ **CONSTANT VOLTAGE VARIANTS**

Application: Dimmer

CODE	Input Voltage	Output	Channels	BUS Command	Analogic Auto Detection
DLM1248-1CV-DALI	12-48V DC	1 x 6,5A	1	DALI	N° 1 N.O. Push Button N° 1 analog signal 0-10V
DLM1224-1CV-DALI	12-24V DC	1 x 10A	1	DALI	N° 1 analog signal 1-10V N° 1 potentiometer 10KOhm
DLM1248-1CV-DMX	12-48V DC	1 x 6,5A	1	DMX	N° 1 N.O. Push Button N° 1 analog signal 0-10V
DLM1224-1CV-DMX	12-24V DC	1 x 10A	1	DMX	N° 1 analog signal 1-10V N° 1 potentiometer 10KOhm

The LED Dimmer is produced by default with:

- Analog Automatic Detection of local command set as N.O. Push Button
- Dimming minimum level at 1%

➤ **PROTECTIONS**

	DLM1248-1CV-DALI/DMX	DLM1224-1CV-DALI/DMX
OTP Over temperature protection (*)	✓	
OVP Over voltage protection (**)	✓	✓
UVP Under voltage protection (**)	✓	✓
RVP Reverse polarity protection (**)	✓	✓
IFP Input fuse protection (**)	✓	✓
SCP Short circuit protection	✓	
OCP Open circuit protection	✓	✓
CLP Current limit protection	✓	

(*) Thermal Protection on the output channel in case of high temperature. The thermal intervention is detected by transistor (> 150°C)

(**) Only control logic protection

➤ **REFERENCE STANDARDS**

EN 61347-1	Lamp controlgear - Part 1: General and safety requirements
EN 55015	Limits and methods of measurement of radio disturbance characteristics of electrical lighting and similar equipment
EN 61547	Equipment for general lighting purposes - EMC immunity requirements
IEC/EN 62386-101	Digital addressable lighting interface - Part 101: General requirements - System
IEC/EN 62386-102	Digital addressable lighting interface - Part 102: General requirements - Control gear
IEC/EN 62386-207	Digital addressable lighting interface - Part 207: Particular requirements for control gear - LED modules (device type 6)
IEC 60929-E.2.1	Control interface for controllable ballasts - control by d.c. voltage - functional specification
ANSI E 1.3	Entertainment Technology - Lighting Control Systems - 0 to 10V Analog Control Specification
ANSI E1.11	Entertainment Technology - USITT DMX512-A - Asynchronous Serial Digital Data Transmission Standard for Controlling Lighting Equipment and Accessories
ANSI E1.20	Entertainment Technology-RDM-Remote Device Management over USITT DMX512 Networks

➤ **TECHNICAL SPECIFICATIONS**

	DLM1248-1CV DALI or DMX Variant	DLM1224-1CV DALI or DMX Variant
	Constant voltage	Constant voltage
Supply voltage	min: 10,8 Vdc .. max: 52,8 Vdc	min: 10,8 Vdc .. max: 26,4 Vdc
Output voltage	= Vin	= Vin
Output current	6,5A @40°C ¹⁾	10A @40°C ¹⁾
Absorbed nominal power ¹⁾	@12V	78 W
	@24V	156 W
	@48V	312 W
Power loss in stand by mode	<500mW	<500mW
Type of Load	R – L – C	R
Thermal shutdown ²⁾	150°C	-
D-PWM dimming frequency	300Hz	300Hz
D-PWM resolution	16 bit	16 bit
D-PWM range	0,1 – 100 %	0,1 – 100 %
Storage Temperature	min: -40 max: +60 °C	min: -40 max: +60 °C
Ambient Temperature ¹⁾	min: -10 max: +40 °C	min: -10 max: +40 °C
Protection grade	IP20	IP20
Wiring	2.5mm ² solid – 2.5mm ² stranded - 30/12 AWG	1.5mm ² solid - 1mm ² stranded - 30/16 AWG
Wire preparation length	5.5 ÷ 6.5 mm	5 ÷ 6mm
Mechanical dimensions	44 x 57 x 25 mm	44 x 57 x 19 mm
Package dimensions	56 x 68 x 35 mm	56 x 68 x 35 mm
Casing material	Plastic	Plastic
Weight	43g	37g

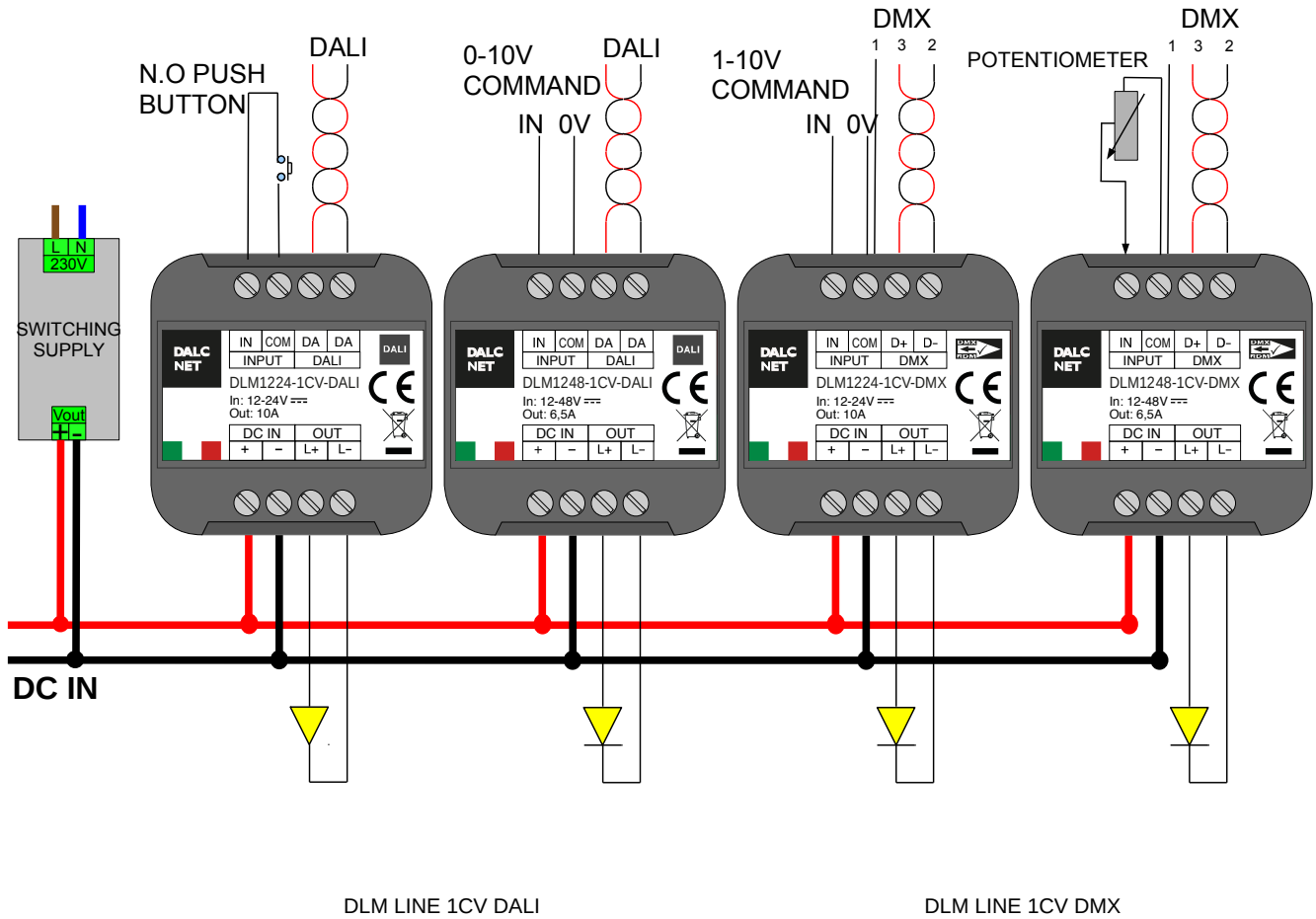
¹⁾ maximum value, dependent on the ventilation conditions. This value is measured at 40°C, it is maximum ambient temperature.

²⁾The Temperature Protection, in case of high temperature, is detected by transistor (> 150°C) and is only on the output channel.

➤ **installation**

To set the product, follow the instruction on the picture below:

- 1) connect the LED in the output terminal blocks "OUT" of the device.
- 2) connect the LOCAL COMMAND to the terminal blocks "INPUT" and / or connect the BUS COMMAND to the terminal block "DALI or DMX" of the device.
- 3) connect the power supply (12-24 Vdc or 12-48Vdc depending on the dimmer model) to terminal blocks "DC IN" of the device.



Examples of local commands and BUS command (DALI or DMX) connection.



DALCNET S.r.l.
 Registered office: via Meucci, 35 - 36040 Brendola (VI) - Italy
 Headquarters: via Meucci, 35 - 36040 Brendola (VI) - Italy
 Tel. + 39 0444 1836680/1867452 Fax. + 39 0444 1867453
 VAT: IT-04023100235
 info@dalcnet.com www.dalcnet.com

DLM Single Channel BUS



Rev. 2018-07-23
 pag. 5/11

Device Manual EASY-BUS

FW 1.2

LOCAL COMMAND

PUSH DIMMER FEATURE

The intensity and the status change (ON/OFF) are controlled by the N.O. push button.

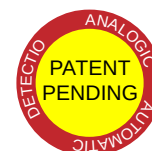
Button	Intensity
Click	On/Off
Double Click	Maximum intensity
Long pressure (>1s) from OFF	Turn ON at 1% (Nightly Time), then dimmer up/down
Long pressure (>1s) from ON	Dimmer up/down
15 Click in 5 second-time	Enter in to PUSH MENU'

0-10V & 1-10V & POTENTIOMETER FEATURE

The intensity is controlled by input voltage variation.

Input	Intensity
0÷10V 1÷10V Potentiometer 10K	Dimmer: 0-1V=0% 10V=100%

ANALOGIC AUTOMATIC DETECTION



AUTOMATIC DETECTION OF THE TYPE OF LOCAL COMMAND

At the first switch the device is set by default to automatic recognition of push button N.O. command.

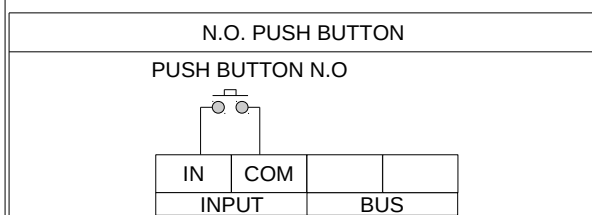
✓ AUTOMATIC DETECTION OF THE 0/1-10V & POTENTIOMETER COMMAND

The automatic recognition of analog signal 0/1-10V or potentiometer starts as soon as a 0/1-10V value between 3V and 7V is sent out or setting the potentiometer with a value included from 30% and 70%.

0-10V COMMAND	1-10V COMMAND	POTENTIOMETER
<p>0-10V</p>	<p>1-10V</p>	<p>POTENTIOMETER</p>

✓ AUTOMATIC DETECTION OF THE N.O. PUSH BUTTON COMMAND

The N.O. push button is identified automatically after 5 clicks in rapid sequence. In mode N.O. push button, function memory is always active.



➤ PUSH MENU'• FUNCTIONS AVAILABLE

- MINIMUM VALUE OF DIMMING
- POWER-ON RAMP (FADE IN)
- POWER-OFF RAMP (FADE OUT)

• ACCESS TO MENU'

When you turn-on the LED dimmer, the output is set at 100% and the minimum of dimming is at 1%.
To access the device menu, click the push button 15 times in 5 seconds-time.
When the Load flashes, you are in "MENU 1".

• MENU' 1 – MINIMUM VALUE OF DIMMING

Every single click make it changing the minimum value of dimming
There are six levels of minimum: 0,1%, 1%, 5%, 10%, 20%, 30% and 100%

After setting the minimum value of dimming press long to confirm.
A double flashing confirms the storage and you can go to "MENU'2"

Note: if you set the minimum level to 100%, once the setting is confirmed, the device automatically exits the MENU.

• MENU' 2 – POWER-ON RAMP (FADE IN)

Every single click make it changing the power-on ramp
There are five levels of power-on ramp (FADE IN): instantaneous, 1 second, 2 seconds, 3 seconds, 6 seconds.

After setting the FADE IN press a long to confirm.
Three flashes confirm the storage and you can go to "MENU'3"

• MENU' 3 – POWER-OFF RAMP (FADE OUT)

Every single click make it changing the power-off ramp
There are five levels of power-off ramp (FADE OUT): instantaneous, 1 second, 2 seconds, 3 seconds, 6 seconds.

After setting the FADE OUT press long to confirm.
Three quick flashes confirm the storage and you go out from the "DEVICE MENU"

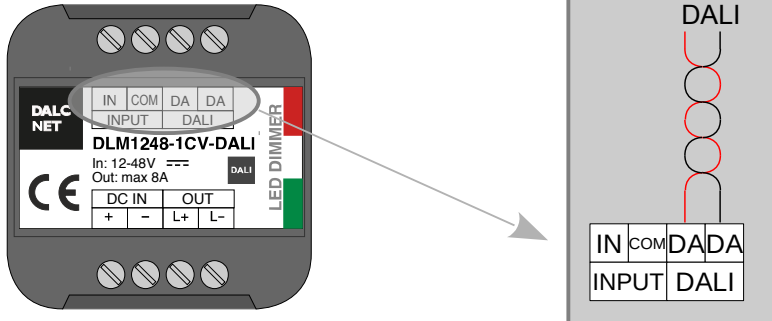
When you are out of the Menu', the Lamp which is connected to the LED Dimmer turns on at the minimum level of dimming previously set.



■ DALI BUS SETUP

In **DALI BUS SETUP** all the leds are controlled by an external DALI controller.

➤ BUS CONNECTION



➤ FEATURES

- BUS DALI

➤ REFERENCE STANDARDS

IEC/EN 62386-101	Digital addressable lighting interface - Part 101: General requirements - System
IEC/EN 62386-102	Digital addressable lighting interface - Part 102: General requirements - Control gear

➤ FUNCTIONS

RELATION WITH LOCAL COMMANDS

At first power-up, in case of absence of connection to the BUS, local control is active.
 When the BUS is detected, the control passes to the BUS.
 In the absence of signal the control passes to local commands in the event of the button pressure.

ADDRESSING

Simplified method (One ballast connected at a time)	✓
Random Address Allocation	✓

ADDRESSES MAP

The intensity and the status (ON/OFF) is controlled by a DALI controller.

Address	Function	Value
1	Dimmer	Intensity [0..254]

➤ **DEFAULT VALUE**

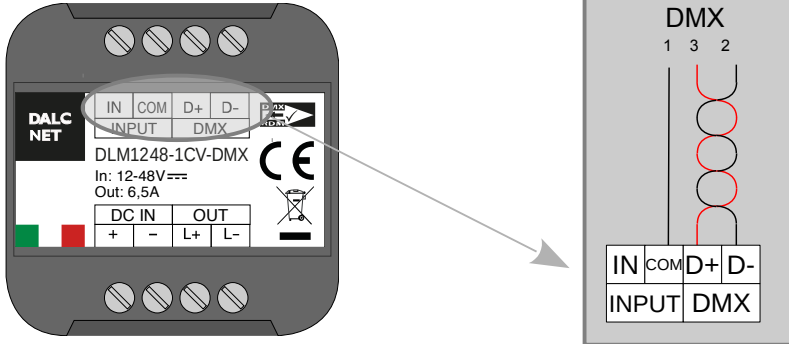
	FACTORY	RESET
ACTUAL LEVEL	254	254
POWER ON LEVEL	254	254
SYSTEM FAILURE LEVEL	254	254
MIN LEVEL	1	1
MAX LEVEL	254	254
FADE RATE	7	7
FADE TIME	0	0
SHORT ADDRESS	FF	(no change)
SEARCH ADDRESS	FF FF FF	FF FF FF
RANDOM ADDRESS	FF FF FF	FF FF FF
GROUP 0-7	0	0
GROUP 8-15	0	0
SCENE 0-15	MASK	MASK
STATUS INFORMATION	1??0????	0?100???
VERSION NUMBER	1	(no change)
PHYSICAL MIN. LEVEL	1	(no change)



■ DMX512+RDM BUS SETUP

With the **DMX+RDM BUS SETUP** in the “slave” condition the outputs are managed by an external DMX controller.

➤ BUS CONNECTION



➤ FEATURES

- BUS DMX512 (NSC+RDM)

➤ REFERENCE STANDARDS

ANSI E1.11	Entertainment Technology - USITT DMX512-A - Asynchronous Serial Digital Data Transmission Standard for Controlling Lighting Equipment and Accessories
ANSI E1.20	Entertainment Technology-RDM-Remote Device Management over USITT DMX512 Networks

➤ FUNCTION

RELATION WITH LOCAL COMMANDS

At first power-up, in case of absence of connection to the BUS, local control is active.
 When the BUS is detected, the control passes to the BUS.
 In the absence of signal the control passes to local commands in the event of the button pressure.

ADDRESSING

RDM

Notice: device addressing have to be carried out by a DMX-RDM programmer.

CHANNEL MAPS

The intensity and the status (ON/OFF) is controlled by a DMX controller.

Channel	Function	Value
1	Dimmer	Intensity [0..255]

> RDM COMMAND

REQUESTED PARAMETERS	
DISC_UNIQUE_BRANCH	✓
DISC_MUTE	✓
DISC_UN_MUTE	✓
SUPPORTED_PARAMETERS	✓
PARAMETER_DESCRIPTION	✓
DEVICE_INFO	✓
SOFTWARE_VERSION_LABEL	✓
DMX_START_ADDRESS	✓
IDENTIFY_DEVICE	✓

SUPPORTED PARAMETERS	
PRODUCT_DETAIL_ID_LIST	✓
DEVICE_MODEL_DESCRIPTION	✓
MANUFACTURER_LABEL	✓
DEVICE_LABEL	✓
BOOT_SOFTWARE_VERSION_ID	✓
BOOT_SOFTWARE_VERSION_LABEL	✓
DMX_PERSONALITY	✓
DMX_PERSONALITY_DESCRIPTION	✓
SLOT_INFO	✓
SLOT_DESCRIPTION	✓
DEFAULT_SLOT_VALUE	✓